

POSI-SEALOC II® QUICK OPENING ENCLOSURES

Posi-Sealoc II® Quick Opening Enclosure

Patent No. 7,332,010



INTEGRATED POSI-SEALOC II®
DESIGN AVIALABLE FOR NEW APPLICATIONS

- Standard closure designs for 740 PSIG @100°F ANSI 300# and 1480 PSIG @100°F ANSI 600#
- Standard closure supplied with dual BUNA-N O-ring seals.
- Other O-ring materials available (See O-Ring Material chart)
- Locking clamps have no effect on seal.
- All units supplied with pressure warning device (Lock and depressurization safety bolt)
- If removal of Pressure Warning Device is attempted while the unit is under pressure, an audible sound will be generated.
- Prevents the need for measuring the torque of the bolts, and reduces potential operator error.
- Designed in accordance to ASME VIII Div 1

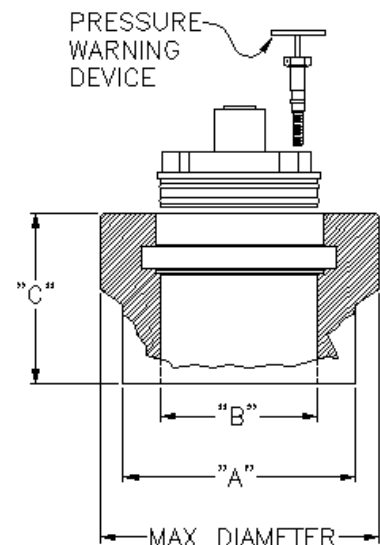
SIZE	A (IN)	A (mm)	B - Bore Size (IN)	B - Bore Size (mm)	C (IN)	C (mm)	D (IN)	D (mm)
10 x 8	10 3/4	273	7 1/4	184	6 3/4	171	13	330
12 x 8	12 3/4	324	7 1/4	184	6 3/4	171	13	330
12 x 12	12 3/4	324	10 9/16	268	7	178	15	381
14 x 12	14	356	10 9/16	268	7	178	15	381
14 x 16	14	356	12 1/16	306	7	178	18	457
16 x 16	16	406	12 1/16	306	7	178	18	457
18 x 20	18	457	15 5/8	397	8	203	22	559
20 x 20	20	508	15 5/8	397	8	203	22	559
22 x 24	22	559	20 3/4	527	8	203	26	660
24 x 24	24	610	20 3/4	527	8	203	26	660
26 x 24	26	660	20 3/4	527	8	203	26	660
30 x 30	30	762	26	660	10	254	32	813
32 x 30	32	813	26	660	10	254	32	813

O-Ring Materials	
Buna-N	-60° to 225°F (-51° to 107° C)
EPDM	-40° to 300° F (-40° to 149° C)
Viton®	-20° to 400° F (-28° to 204° C)
Silicon	-100° to 500° F (-73° to 260° C)

Standard material of construction

Housing	: Carbon Steel
Closure	: SA106 Grade B or SA105
Cover	: SA516 Grade 70
Locking Cams	: 316 Stainless Steel

Other materials available upon request



Notes: Dimensions, material and options availability are subject to change without notice.
Please consult the TM Sales Department or your local sales representative for certified drawings or additional information.