



TM Filtration

OVERVIEW OF 2 PHASE GAS COALESCING



2 PHASE GAS COALESCING FILTERS

SERIES 342, 382, 392,
392H, 392E, 392ER
Patent No. 7,332,010

TM Filtration's two-phase coalescing filter vessels are used where liquid and particulate loadings are not sufficient enough to warrant a three-phase design. TM Filtration's pleated GFC coalescing element ensures maximum removal of liquid and particulate while minimizing expensive change-outs and spare filter purchases.

APPLICATIONS:

Turbine protection
Gas compressor oil & water removal
Delicate instrumentation protection
Meter protection
Liquid removal prior to compressed gas storage
Heat exchanger protection
Air compressor protection



DESIGN INFORMATION:

- Gas radial velocity impacting on the surface area of the coalescing element ≤ 0.5 ft / sec
- Clean pressure drop inlet to outlet ≤ 1 psid Vessels are available in full ANSI class ratings
- All vessels are designed per ASME code Section VIII Div. 1 (Latest addendum)
- ASME "U" Stamp available upon request

Notes: Body material, connections, available options, and dimensions are completely customizable. Dimensions and options availability are subject to change without notice. Please consult the TM Sales Department or your local sales representative for certified drawings, or additional information.

PATENTED & INNOVATIVE FILTRATION TECHNOLOGIES

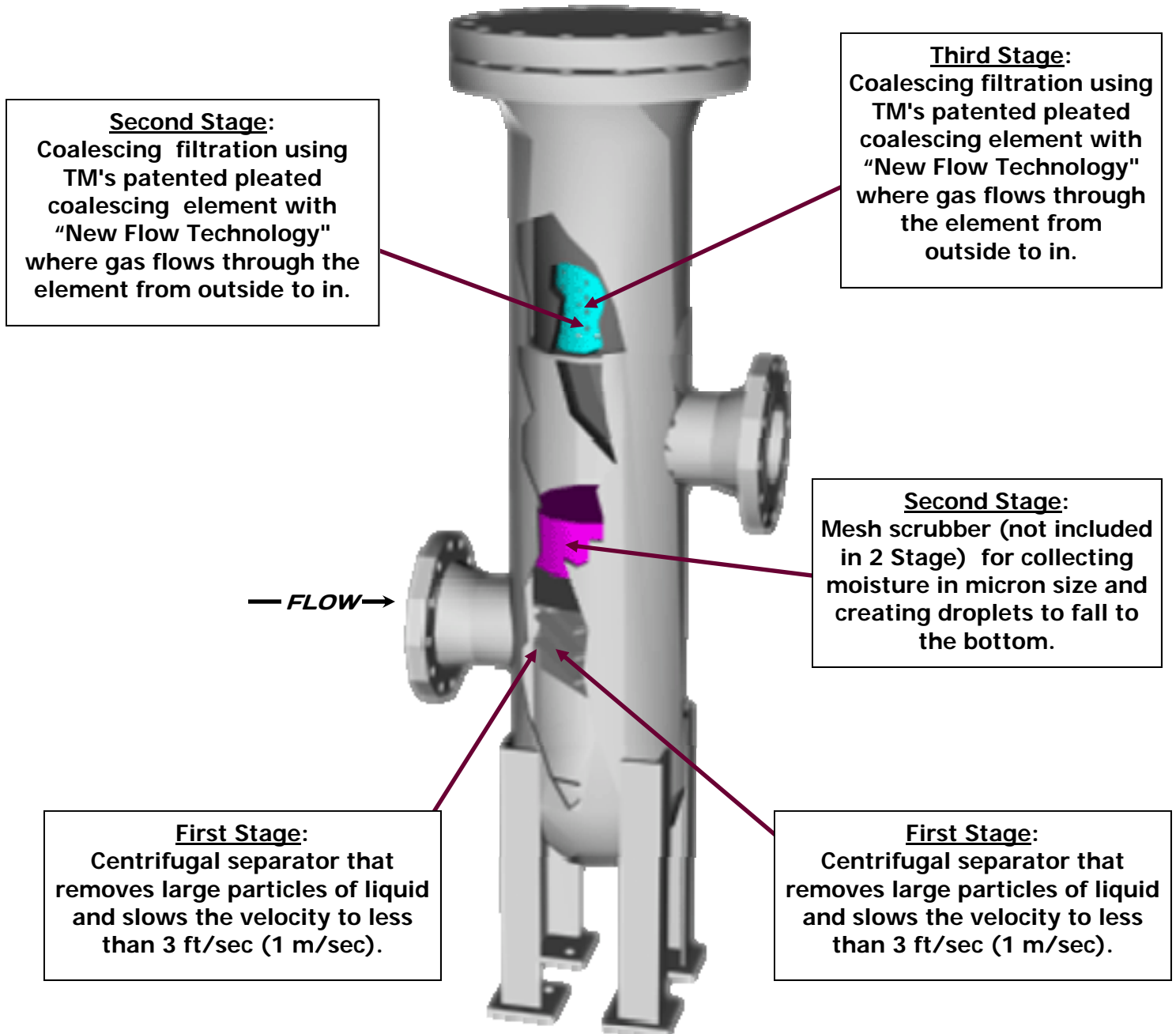


2 STAGE (PHASE) GAS FILTRATION



PATENT NO. 7,332,010

3 STAGE (PHASE) GAS FILTRATION



CREATING A 300 SERIES CLEANABLE GAS COALESCING PART NUMBER



PATENT NO. 7,332,010


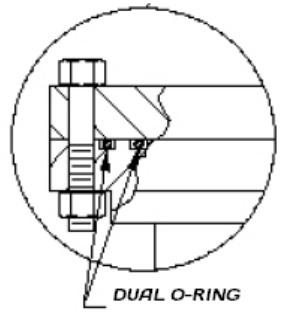
300 SERIES PART NUMBER BREAKDOWN

3 □ □ □


STAGES OF FILTRATION
 2 = Two Stage Filtration
 3 = Three Stage Filtration

COVER STYLE
 4 = Double O-ring cover
 8 = Posi-Sealoc II® quick release cover
 9 = Bolted cover

DESIGN OPTIONS
 BLANK = Standard Unit
 E = E-line (Econo-line)
 ER = E-line with reservoir
 H = Horizontal Design

DUAL O-RING



4 SHOWN 9 SHOWN



8 SHOWN

Examples

383 3 Stage Coalescing Filter with a Posi-Sealoc II® quick release cover

392ER Economy line, 2 Stage Coalescing Filter with a bolted cover and reservoir

342 2 Stage Coalescing Filter with Double O-ring cover

Note: It is possible to assemble codes that have not previously been designed. Please contact the sales department if you cannot find your model code in this catalog.